

FRESA LANCIA GUIDATA

MUCOTOMO GUIDATA

SPIANATORE GUIDATA

FRESA A SVASO GUIDATA

FRESE

Ø 3



GD-LANCIA



GD-263



GD-264



GD-SV-30



GD-30-08
L 8



GD-30-10
L 10

Ø 3.5



GD-LANCIA



GD-263



GD-264



GD-SV-35



GD-35-08
L 8



GD-35-10
L 10

Ø 4



GD-LANCIA



GD-263



GD-264



GD-SV-40



GD-40-08
L 8



GD-40-10
L 10

Ø 4.5



GD-LANCIA



GD-263



GD-264



GD-SV-45



GD-45-08
L 8



GD-45-10
L 10

Ø 5



GD-LANCIA



GD-263



GD-264



GD-SV-50



GD-50-08
L 8



GD-50-10
L 10

GUIDATA

COMPATTATORI GUIDATA

BOCCOLE TITANIO/PEEK

CONVERTER

∅ 4.2

∅ 5.5



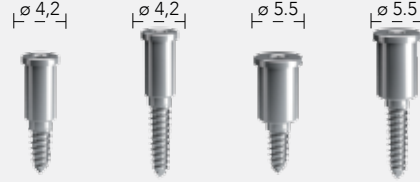
GD-706 GD-764P GD-703P
per impianti ∅ 3 - 3.5 - 4

GD-707 GD-765P GD-704P
per impianti ∅ 4.5 - 5

GD-708

VITI CRESTALI DI BLOCCAGGIO

PIN LATERALI



GD-PIN/57
L 7

GD-PIN/510
L 10

GD-PIN/67
L 7

GD-PIN/610
L 10

GD-PING
NON INCLUSO NEL KIT

MONTATORI GUIDATA

CHIAVE PER MONTATORE GUIDATA



GD-768/3
∅ 3

GD-768/1
∅ 3.5 - ∅ 4

GD-768/2
∅ 4.5 - ∅ 5



GD-769

CHIAVE PROTESICA (CORTA)

BONE MILL GUIDATA

FRESA LANCEOLATA PER PIN LATERALI



INN-61000



GD-BM



GD-FOG

MONTATORI A CRICCHETTO DIRETTO PER GUIDATA

POSIZIONATORE MUA ANGOLATI

CHIAVE MUA DRITTI



∅3 IMPLANT
GD-00578



3P/EV IMPLANT
GD-701



023-MUA

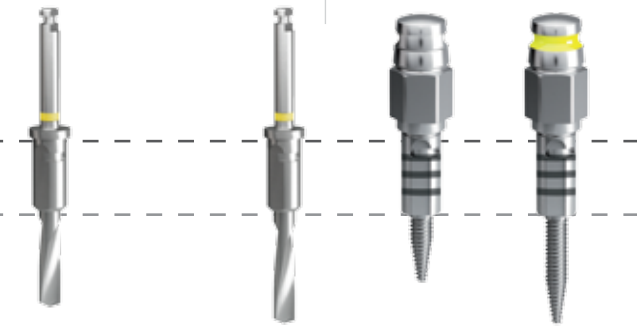


INN-00637

CRICCHETTO DINAMOMETRICO

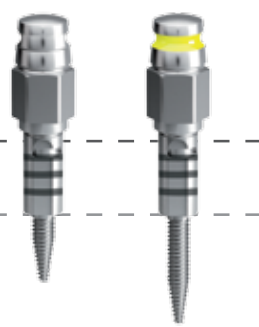


00376DIN



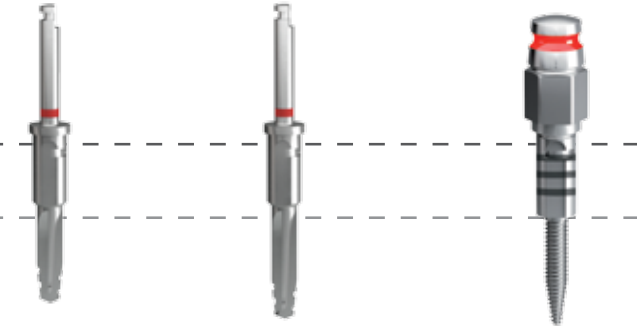
GD-30-12
L 12

GD-30-14
L 14



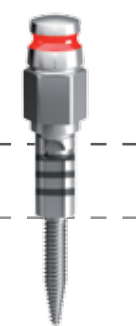
GD-761/2
SHORT

GD-761/2A
∅2.5/12.5

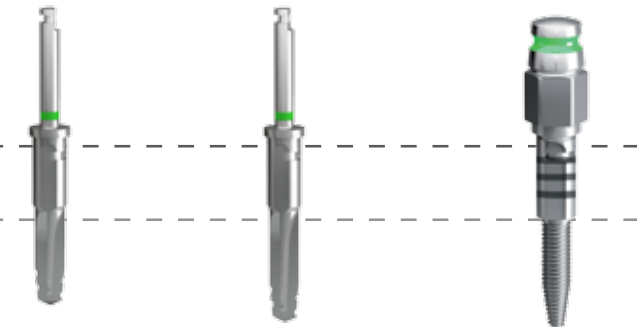


GD-35-12
L 12

GD-35-14
L 14

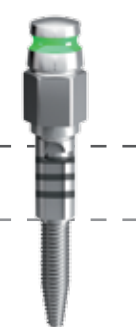


GD-761/3A
∅ 3.2/12.5

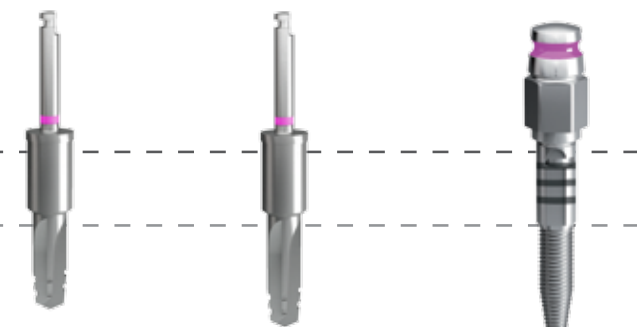


GD-40-12
L 12

GD-40-14
L 14

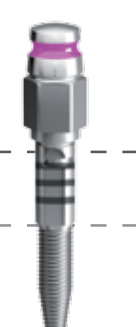


GD-761/4A
∅ 3.7/12.5

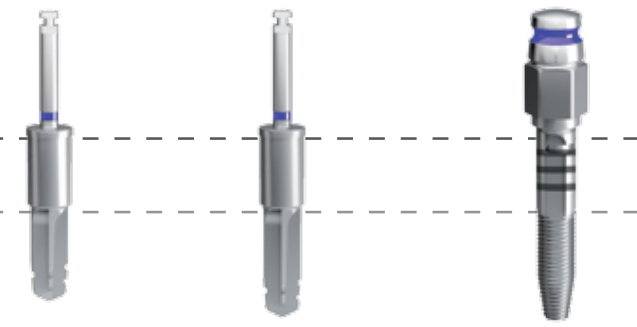


GD-45-12
L 12

GD-45-14
L 14

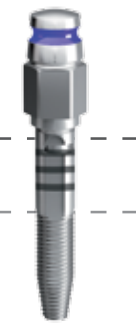


GD-761/5A
∅ 4.2/12.5



GD-50-12
L 12

GD-50-14
L 14



GD-761/6A
∅ 4.7/12.5



B&B DENTAL
implant company

Via San Benedetto, 1837 - 40018 San Pietro in Casale (BO) Italy
Tel. +39 (0) 51.81.13.75 - Fax +39 (0) 51.666.94.00
info@bebdental.it - www.bebdental.it



Certified quality system
UNI EN ISO 13485